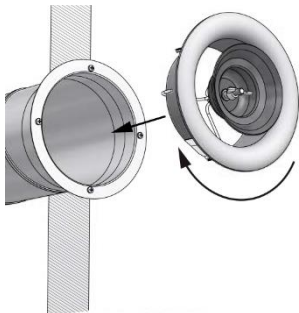


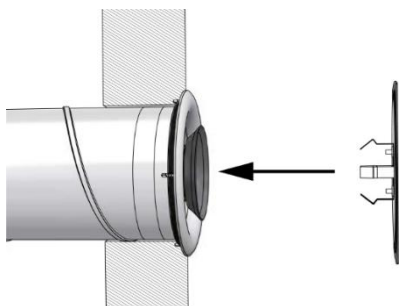
Installation of the valve



It is recommended to instal with Lindab VRGL (eventually VRGU, ILU or ILF) elements. It can be mounted directly into SPIRO pipe.

Press the body of the valve into the element or SPIRO pipe and rotate it in clockwise

Attachment and disassembly of the front plate



Lock the valve cone using a winged nut. Press the front plate with the springs into the valve cone and attach the plate to the valve.

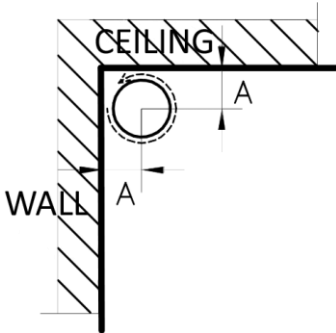
Pull the plate with the springs out of the valve cone to dismantle the front plate.

Regulation of the air flow-through rate

Turn the front plate to increase (reduce) the air intake or outflow. It recommended that the air flow-through rate is measured with the attached front plate. After accurate regulativ dismantle the front plate and lock the internal part of the valve using the winged nut. Then reattach the glass front plate into the valve cone by pressing it in.

Minimum distance of the valve front plate from the wall and ceiling:

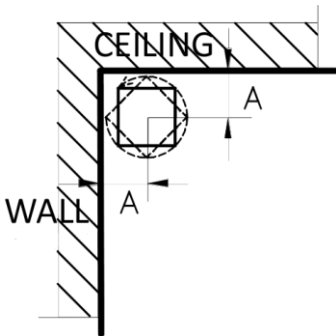
circle shape valve



Minimum distance of „A“ valve from the wall and ceiling for the pipe with a diameter:

Ø 100	110 mm
Ø 125	110 mm
Ø 160	125 mm

square shape valve



Minimum distance of „A“ valve from the wall and ceiling for the pipe with a diameter:

Ø 100	150 mm
Ø 125	150 mm
Ø 160	175 mm